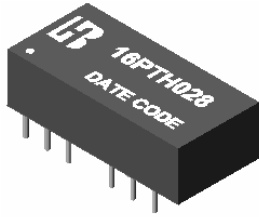


**Bothhand USA    email:sales@bothhandusa.com    http://www.bothhandusa.com**  
**10/100/1000 PC CARD LAN MAGNETICS SOLUTIONS**  
**P/N: 16PTH028 DATA SHEET**

**Feature**



- Designed for 10/100/1000 MB/s transmission over UTP-5 cable.
- Cable interface for isolation and low common mode Emissions.
- Operating temperature range: 0°C to +70°C.
- Storage temperature range: -25°C to +105°C.

<b>Electrical Specifications @ 25°C</b>						
Part Number	Turns Ratio (±5%)		OCL (uH Min) @ 100KHz/0.1V with 8mA DC Bias	C <sub>www</sub> (pF Max)	L.L (uH Max)	HI-POT (Vrms)
	TX	RX				
16PTH028	1CT:1	1CT:1	350	28	0.6	1500

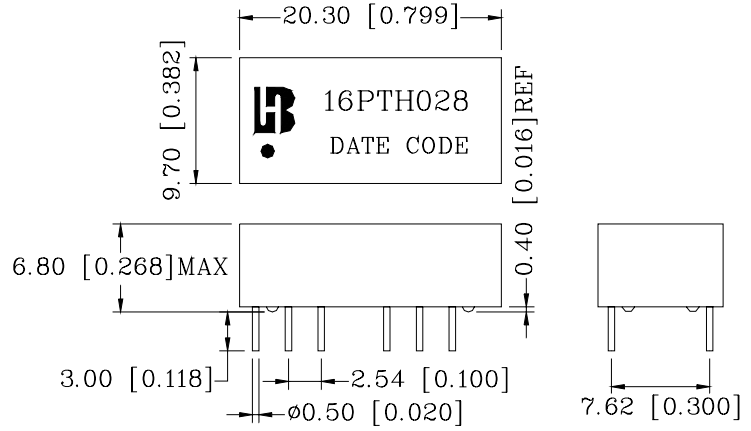
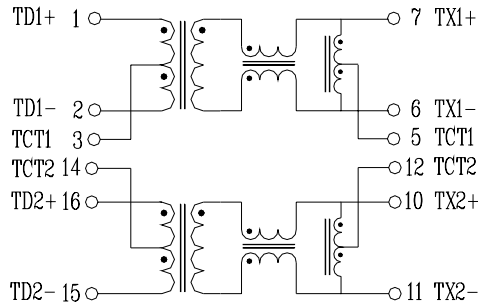
<b>Continue</b>						
Part Number	Insertion Loss (dB Max)	Return Loss (dB Min)			Cross talk (dB Min)	DCMR (dB Min)
		30MHz	60MHz	80MHz		
16PTH028	-1.1	-14	-12	-10	-35	-30

**Schematic**

**Mechanical**

**Bothhand USA    email:sales@bothhandusa.com    http://www.bothhandusa.com**  
**10/100/1000 PC CARD LAN MAGNETICS SOLUTIONS**  
**P/N: 16PTH028 DATA SHEET**

---



Units: mm[Inches]    Tolerances: xx.x0±0.25[0.010]  
0.xx±0.05[0.002]

---